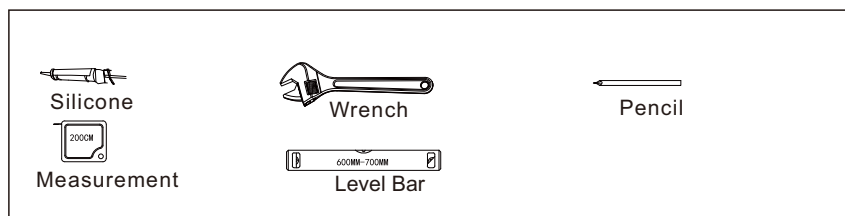
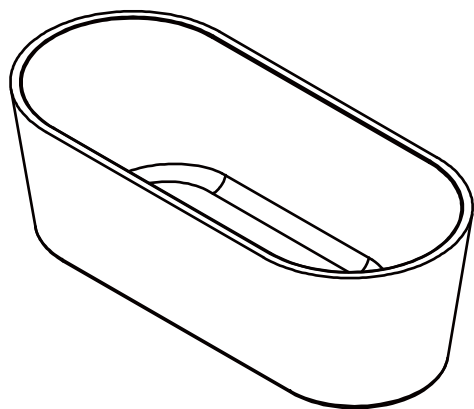


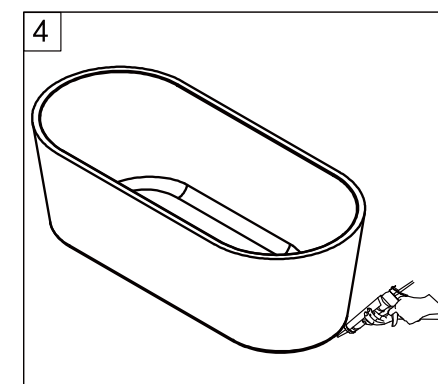
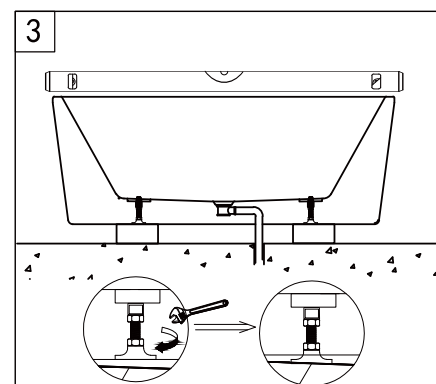
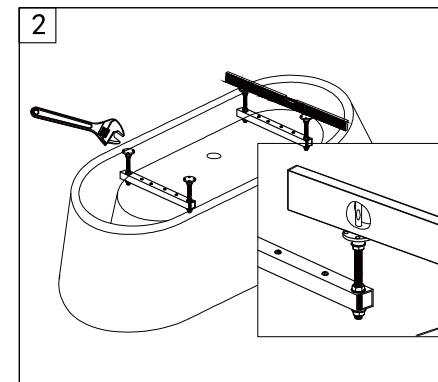
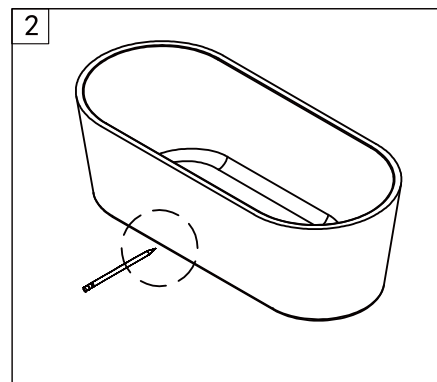
# Installation Guide

SC-95778 & GS-346

Freestanding Bathtub



- Please read all instructions carefully before proceeding with installation.
- Due to the complexity of the installation procedure a professional plumber is required.
- Specifications and directions may change without notice.



1. Move the bathtub into the desired location and mark on the floor along bathtub's bottom.
2. Set the bathtub upside down on a nonabrasive surface. Loosen the nuts and washers from the metal frame. Adjust the leveling feet to align with bathtub's bottom as well as level the tub with the floor and then tighten the washers and nuts.
3. Move the bathtub back into the desired location and put the drain hose into the floor drain.
4. Apply silicone along the bottom of the bathtub to create airtight seal.
5. The flexible drain pipe that is included with the unit may be discarded if not needed.