

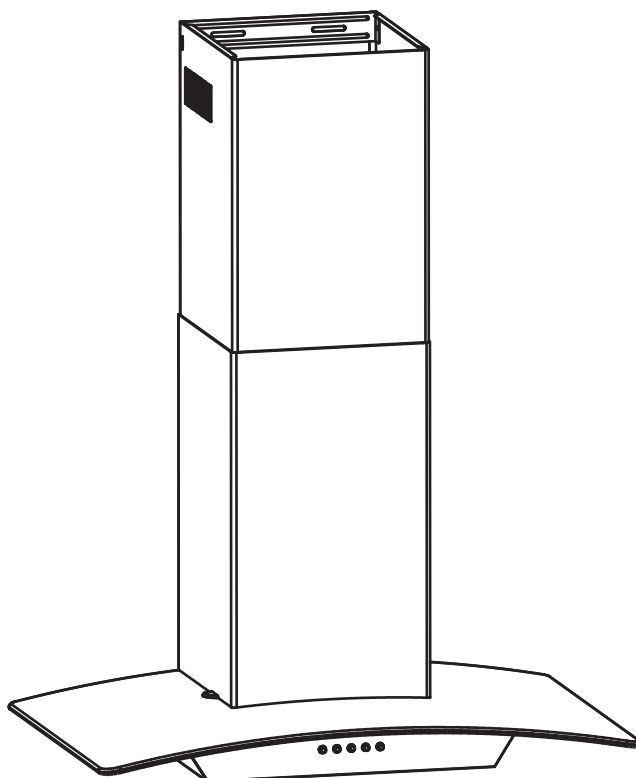


# **GLASS DECORATIVE COOKER HOOD**

---

## **INSTRUCTION MANUAL**

**Model:WG0175 / WG0190**



# Table of Contents

Table of Contents .....	2
Safety Information .....	2
Warranty .....	4
Pre-installation .....	5
Installation .....	8
Operation .....	12
Maintenance.....	13
Care and Cleaning.....	15
Troubleshooting .....	16
Wiring Diagram.....	17

## Safety Information

### GENERAL SAFETY INFORMATION

1. Use this unit only in the manner intended. If you have any questions, contact the distributor or importer.
2. Please carefully read this guide before installing or using this product. Save this guide for the local electrical inspector's use.
3. This range hood has a thermally protected system for the motor, which will shut down automatically if the motor is overheated. If the overheat protection trips, disconnect the power and wait for 15 minutes for the motor to cool down.

### INSTALLATION SAFETY INFORMATION

1. The installation instructions in this manual are intended for qualified installers, service technicians, and others with a technical or electrical background. Never attempt to install this appliance yourself.
2. Your installation must comply with all applicable local codes and standards.
3. Grounding instructions:  
This appliance must be grounded. In the event of an electrical short circuit, grounding reduces the risk of electric shock by providing an escape wire for the electric current. This appliance is equipped with a cord having a grounding wire with a grounding plug. The plug must be plugged into an outlet that is properly installed and grounded. Consult a qualified electrician if the grounding instructions are not completely understood, or if doubt exists as to whether the appliance is properly grounded.  
Do not use an extension cord. If the power supply cord is too short, have a qualified electrician install an outlet near the appliance.
4. Sufficient air is needed for proper combustion and exhausting of gases through the duct cover to prevent back drafting. Follow

the guidelines and safety standards, such as those

published by the National Fire Protection Association (NFPA), the American Society for Heating, Refrigeration, and Air Conditioning Engineers (ASHRAE), and the local code authorities.

5. Old duct work should be cleaned or replaced if necessary.

Check and properly tape all joints on duct work to ensure proper connections.



**DANGER:** Turn off the power circuit breaker or the power switch on the junction box before installing or servicing this unit. Touching circuitry inside the range hood while it is energized will result in death or serious injury.



**DANGER:** All electrical wiring must be properly installed, insulated, and grounded. Improper insulation and grounding will result in deadly electrical shock.



**DANGER:** If installing this unit over a gas range, turn off the gas at the source before installing or serving this unit.



**WARNING:** Attempting to install or service this unit when you do not have the necessary technical or electrical background could result in personal injury.



**WARNING:** The unit has sharp edges. Always wear safety gloves during installation, cleaning, or servicing.



**WARNING:** Improper grounding can result in an electric shock.



**WARNING:** Always leave safety grills and filters in place. Without these components, operating fans could catch on to hair, fingers, or loose clothing.



**CAUTION:** For the stainless hoods, please carefully remove the plastic protective film from the surface of the hood prior to installation.



**CAUTION:** At least two people are needed to move and safely install the unit. Failure to properly lift the range hood could result in product damage or personal injury.

# Safety Information (continue)

## GENERAL SAFETY INFORMATION

1. Ducted fans should always be vented to the outdoors. Never vent exhaust air into spaces within walls or ceilings, attics, crawl spaces, or garages.
2. When cutting or drilling into the wall or ceiling, do not damage electrical wiring or other hidden utilities.

## COOKING SAFETY INFORMATION

1. Never leave the range hood unattended when in use.
2. Never cook over open flames under the range hood.
3. Always turn the range hood on when cooking at high heat or when cooking flaming foods.
4. The minimum distance is 24 in. from the range hood to a hob, if the installation instruction for gas hobs specifies a greater distance; this must be taken into account.
5. Use caution when cooking with oil or with deep-fryers. Overheating may cause oil to reach its flash point and ignite. Used oil will ignite at lower temperatures than fresh oil. Heat oils slowly on low to medium setting.
6. Avoid boil over, as they may cause smoking and greasy spillovers that could ignite.
7. To prevent burns or fires, always use cookware appropriate to the size of the heating element that you are using.
8. In event of a cooking fire, observe the following:
  - Be careful to avoid burns.
  - Smother flames with a close-fitting lid, cookie sheet, or metal tray, and then turn off the burner. If the flames do not go out immediately, evacuate and call the fire department.
  - Never pick up a flaming pan.
  - Do not use water, including wet dishcloths or towels, as you could cause a steam explosion.
  - Use an extinguisher only if: (a) you have a class ABC extinguisher and you know how to operate it, (b) the fire is small and contained in the area where it started, (c) the fire department is being called, and (d) you can fight the fire with your back to the exit.

## CLEANING SAFETY INFORMATION

1. The fan and filters must be cleaned periodically and kept free from accumulation of cooking residue. Old and worn filters must be replaced immediately.
2. Never disassemble parts to clean. Parts should be disassembled by qualified persons only.



**WARNING:** To reduce the risk of fire, use only metal duct work. Never use plastic duct work.



**WARNING:** Stay clear of the rotating fan when the motor is running.



**WARNING:** Keep this appliance clean and free of grease and residue build-up at all times to prevent fires.



**CAUTION:** For general ventilation use only. Do not use the range hood fans to exhaust hazardous or explosive vapors.



**CAUTION:** Never dispose of cigarette ashes, ignitable substances, or any foreign objects in fans.

# Warranty

This range hood is warranted to the original purchaser to be free of defects in material and workmanship for one (1) year from the date of purchase.

Our obligation shall be limited to the repair or replacement of a unit (at our discretion) that may prove, by our sole examination, to be defective under normal use and service during the warranty period. We may issue credit in the amount of the invoice value of the defective product (or a percentage of it according to use) in lieu of repair or replacement. Any failure of this product that is not traceable to a defect in material or workmanship is not covered by this warranty. These non-warrantable items include, but are not limited to:

- Any defects or damage to light bulbs
- Change in color or finish due to chemical usage
- Improper installation not in accordance with the instructions
- Dents, bumps, and scratches incurred during shipping, handling, or installation
- Damage caused by failure to follow care and cleaning guidelines, including damage caused by the use of abrasive cleaners
- Alterations made to the unit by the purchaser or installer
- Damage caused by accidental impact, fire, flood, freezing, and normal wear
- Bends and warping caused by forced connections, over-tightened fittings, and inadequate support during installation

A thorough inspection must be made before installation and any damage must be promptly reported. We will not be liable for failures or damage that could have been discovered or avoided by proper inspection and testing prior to installation.

Incidental repairs that would involve a minimum of time and effort on behalf of the purchaser will not be considered warranty work and no compensation will be deemed forth coming.

This warranty is non-transferable and shall be voided if the unit is removed from its initial installation or if it is not installed following the instructions.

Under no circumstance shall we be held liable for personal injury or property damage resulting from improper installation or use of this product. We will not be held liable for inconvenience caused by loss of use of this product, costs incurred for labour or materials, removal and installation of replacement units, or any other incidental or consequential damages. Costs relating to obtaining access for repair or replacement are the responsibility of the user.

This warranty does not extend to commercial and institutional installation or use.

## WARRANTY CLAIM PROCEDURE

If a claimable defect occurs, please contact our customer service team at (205)-489-5153

Before you make your claim call, please ensure that you have:

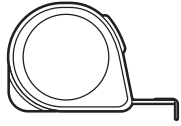
- Description of the range hood
- Proof of sale
- Details regarding the defect
- Name(s) and address(es) of the owner and installer

Claims must be filled out in writing and returned within six (6) months of the appearance of a defect. Failure to comply with this stipulation will make this warranty null and void. We reserve the right to a thirty-day (30) delay following the receipt of a claim in which to inspect the product. We assume no responsibility for labor costs, removing or replacing a previously installed product, transportation, or the return of a product.

# Pre-installation

## TOOLS REQUIRED

### HARDWARE EXAMPLE



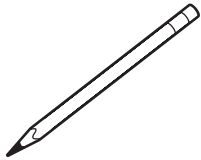
Measuring tape



Level



Utility knife



Pencil



Tape



Adjustable wrench



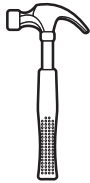
Phillips screwdriver



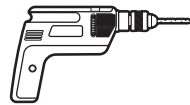
Flathead screwdriver



Needle nose pliers



Hammer



Electric drill

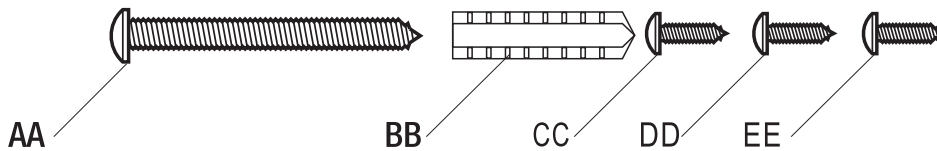


Safety goggles



Safety gloves

 **NOTE:** Hardware not shown to actual size.



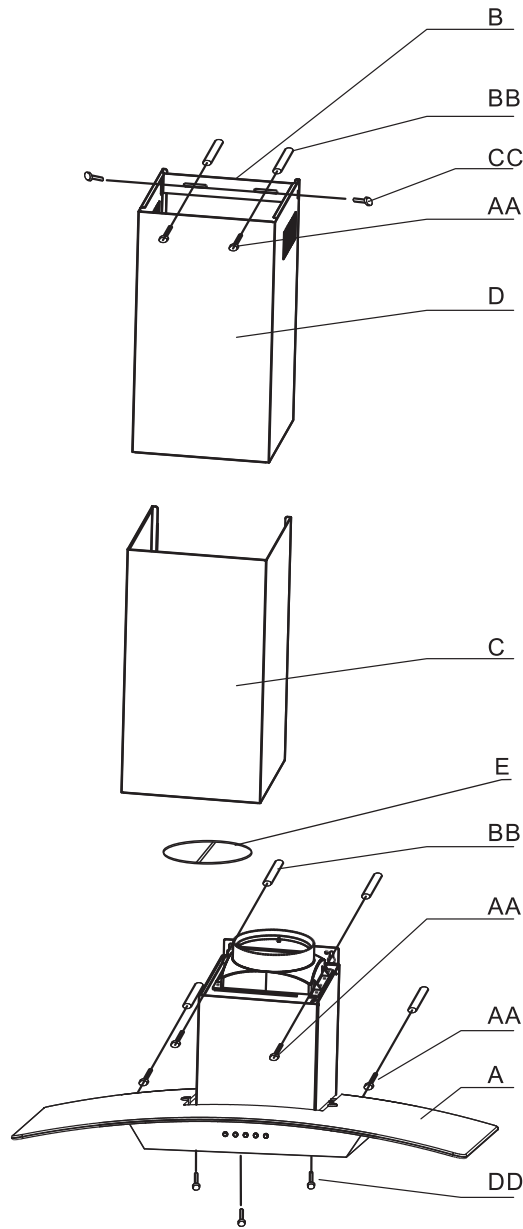
Part	Description	Quantity
AA	Hood body mounting screws	6
BB	Drywall anchor	6
CC	Chimney mounting bracket screws	2
DD	Bottom chimney fix screws	3
EE	Glass fastening screws	2

**Remarks:**

DD: Use for backup use to fix the bottom chimney (C) from inside of hood body.

# Pre-installation (continued)

## PACKAGE CONTENTS



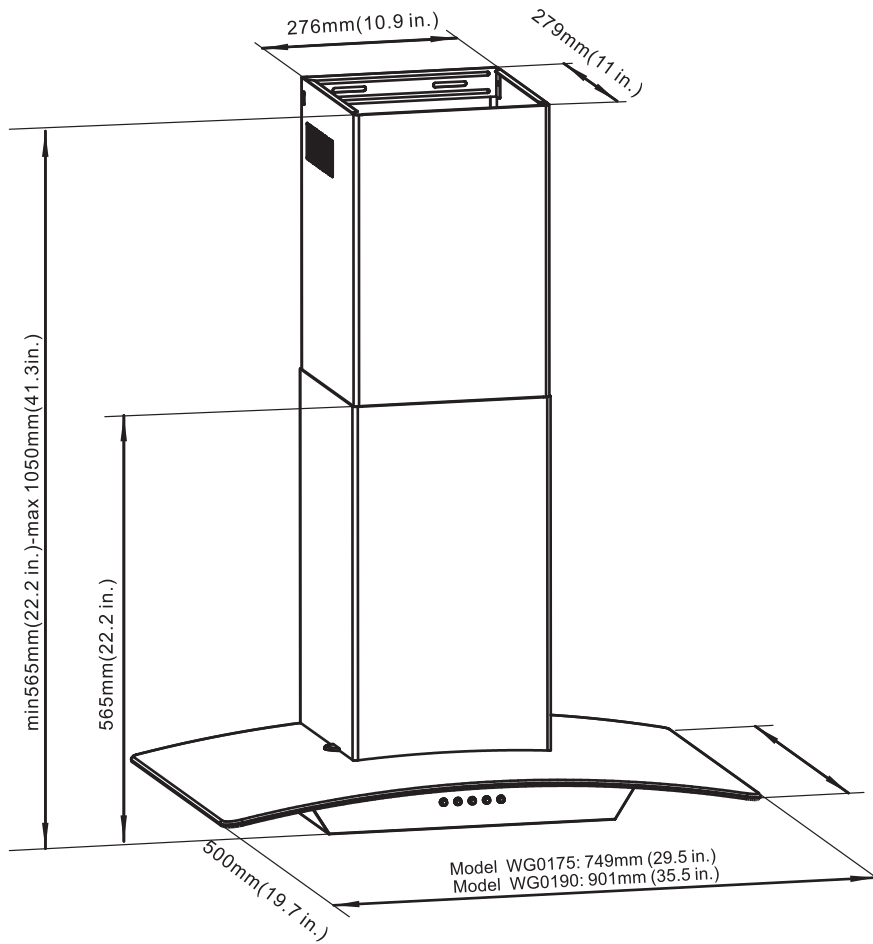
Part	Description	Quantity
A	Range hood (including filters and lamps)	1
B	Chimney bracket	1
C	Bottom chimney	1
D	Top chimney	1
E	Duct fastener	1

Remarks:

E: Use for backup use for duct installation.

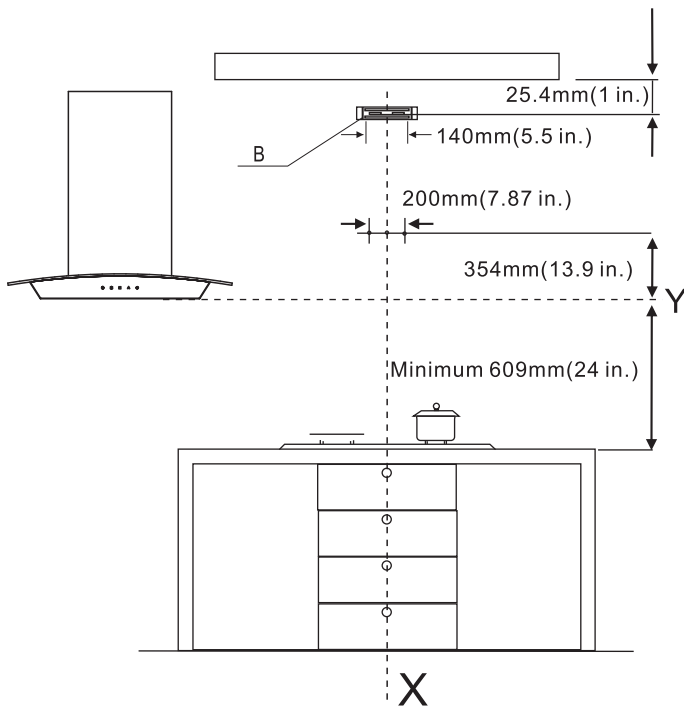
## SPECIFICATIONS

Dimensions	Volts	Hertz	Fan CFM	Speeds	Light Wattage	Stainless Steel Grade
WG0175: 749mm(29.5 in.) W	120	60	300	High	3	430
WG0190: 901mm(35.5 in.) W				Medium		
500mm(19.7 in.)D				Low		
565-1050mm(22.2-41.3 in.)H						



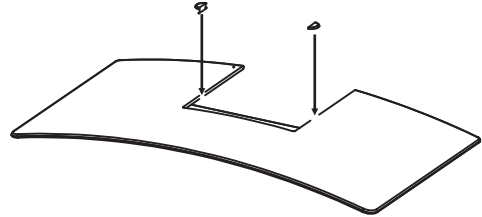
## 1 INSTALLATION DRILLING AND LINING

1. Draw a vertical line X on the supporting wall up to the ceiling, or as high as practical, at the center of the area in which the hood will be installed.
2. Draw a horizontal line Y at minimum 609 mm (24 in.) above the cooking surface.
3. Place the chimney mounting bracket (B) on the wall as shown about 25.4 mm (1 in.) from the ceiling or upper limit aligning the center (notch) with the vertical reference line.

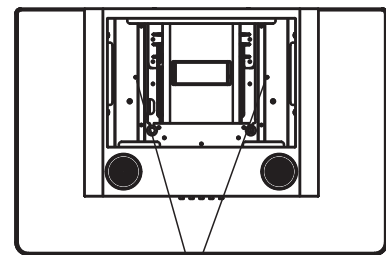
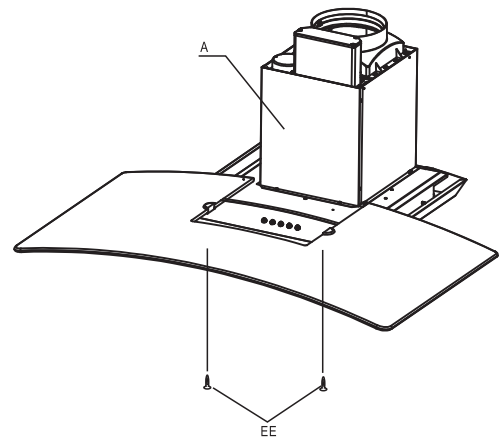


## 2 GLASS INSTALLATION

1. There are two plastic fasteners on the glass, please check and make sure they are securely attached.



2. Put the glass on the top of the hood body (A) and fix the glass well on position by using 2 screws (EE) from underneath with the two plastic fasteners.



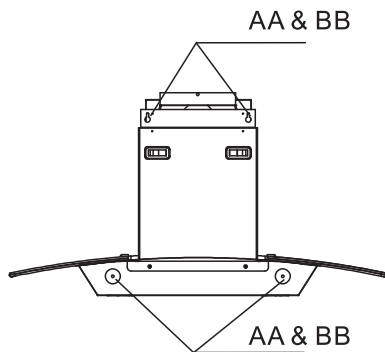
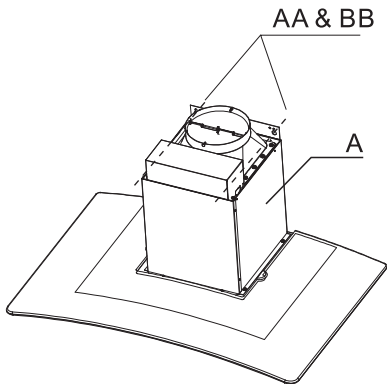
Two screws' holes

3. Check and make sure that the glass is fixed well on the hood body without moving.



## 3 MOUNTING THE HOOD

1. Mount the two hood mounting screws with drywall anchors (AA & BB) into the wall along the line that is 354 mm (13.9 in.) above the horizontal line Y. To ensure the two screws (AA) are parallel with the horizontal line Y. The distance between the two screws (AA) is 200 mm (7.87 in.).
2. Hook the hood body (A) onto the screws (AA) mounted onto the wall and securely tightens the screws with drywall anchors (AA & BB).
3. Mount another two auxiliary mounting screws with drywall anchors (AA & BB) to secure the hood body (A).



## 4 DUCT FIXING



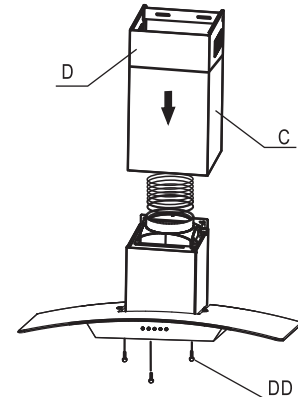
**CAUTION:** To reduce the risk of fire, use metal ductwork only. (Metal duct should be sourced locally.)

- Attach an adequate length of approximately 152 mm (6 in.) round duct (not included) on the top of the outlet adapter.
- Secure the duct. Check and properly tape all joints on the duct work to ensure proper connections.
- Ensure the two flappers on the damper assembly operate freely.

### 1. TELESCOPIC CHIMNEY ASSEMBLY

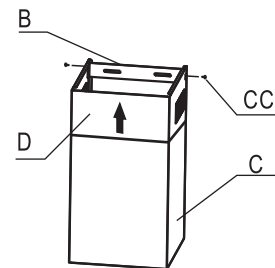
#### Chimney Bottom:

- Carefully slide the bottom chimney (C) down outside the top chimney (D), and then carefully place the bottom chimney (C) into the recessed area of the hood body top.
- Optionally fix the bottom chimney (C) with the three chimney bottom screws (DD) supplied from inside of hood body.



#### Chimney Top:

- Raise the top chimney (D) up inside the bottom chimney (C). Secure the top chimney (D) to the chimney mounting bracket (B) that is securely attached on the wall with the two chimney bracket screws (CC) supplied from two sides.



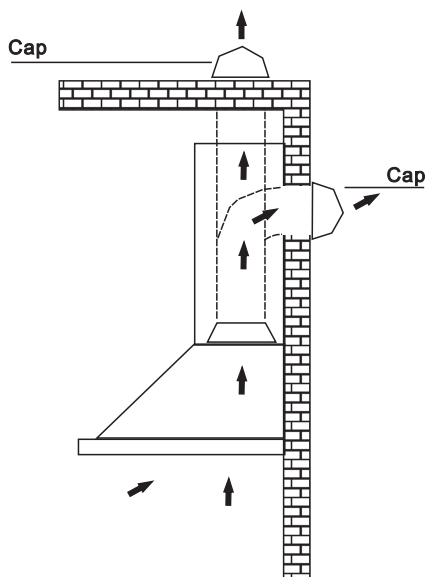
## 5 DUCT FIXING

### DUCTED MODE



**CAUTION:** To reduce the risk of fire, metal ductwork is preferred. (Metal duct should be sourced locally.)

1. Decide where the ductwork (not included) will run between the hood and the outside.
2. A straight, short duct run will allow the hood to perform most efficiently.
3. Long duct runs, elbows, and transitions will reduce the performance of the hood. Use as few of them as possible. Larger ducting may be required for best performance with longer duct runs.
4. Attach an adequate length of approximately 152 mm (6 in.) round duct to the air outlet adapter.
5. The air must not be discharged into a flue that is used for exhausting fumes from appliances burning gas or other fuels. Regulations concerning the discharge of air have to be fulfilled.
6. Install a roof/wall cap. Connect round metal ductwork to cap and work back towards hood location. Use duct tape to seal the joints between ductwork sections. (The roof/wall cap should be sourced locally).



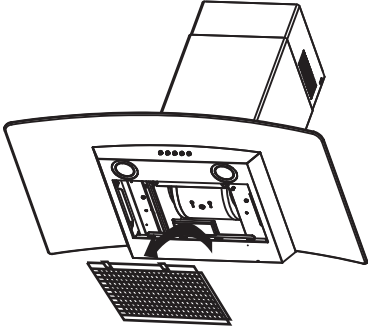
# Installation (continued)

## NON-DUCTED MODE

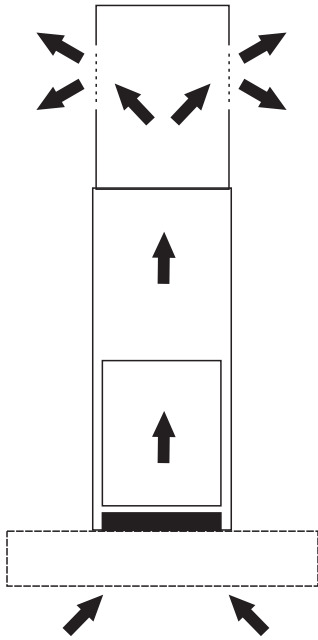


CAUTION: Do not use plastic or rigid metal ducting.

1. Install the charcoal filter (not included).



2. Please note that the air will flow out from the two grids on the two sides of the chimney top.



## ELECTRICAL CONNECTION



WARNING: Electrical wiring must be done by a qualified person(s) in accordance with all applicable codes and standards. Turn off electrical power at service entrance before wiring.



WARNING: If the supply cord is damaged, it must be replaced by the service agent or similarly qualified persons in order to avoid a hazard.



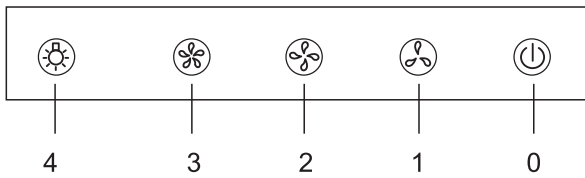
WARNING: Do not use the plug and an extension cord other than the ones initially supplied with the hood.



WARNING: The ground connection of this hood is compulsory. Do not remove ground prong of the plug.

## OPERATION OF CONTROLS

1. The hood is operated using the push button on the front panel.
2. The light switch turns the lamps on and off.
3. The blower switch turns the blower on to three speed settings.

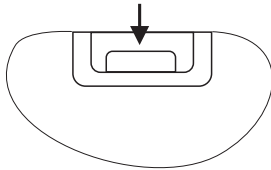


- 0 - OFF
- 1 - LOW SPEED
- 2 - MEDIUM SPEED
- 3 - HIGH SPEED
- 4 - LIGHT

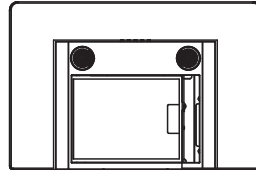
## ALUMINIUM GREASE FILTER

- The grease filters should be cleaned frequently (every two months of operation, or more frequently for heavy use). Use a warm detergent solution.
- Grease filters are washable.

( 1 ) PUSH DOWN



( 2 ) LIFT OUT

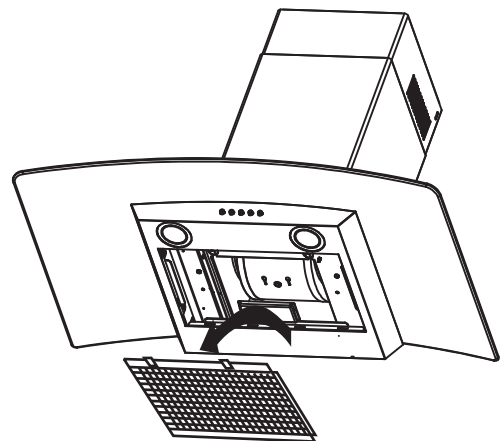


1. Remove the grease filter by pushing down the latch. This will disengage the filter from the hood. Tilt the filter lift out and remove.
2. Wash the filters, taking care not to bend them. Allow them to be dry before refitting.
3. When refitting the filters, make sure that the latch is visible from the outside.
4. To install the grease filter, align rear filter tabs with slots in the hood. Push down the latch, push filter into position and release. Make sure the filter is securely engaged after assembly.

## NON-DUCTED RECIRCULATION CHARCOAL FILTER (NOT INCLUDED)

- This filter is not washable, cannot be regenerated, and should be replaced approximately every 3 months of operation, or more frequently in the case of heavy usage.

1. To install the charcoal filter (not included), lock it until the stop click is heard.
2. Install grease filter after charcoal filter (not included) is installed.



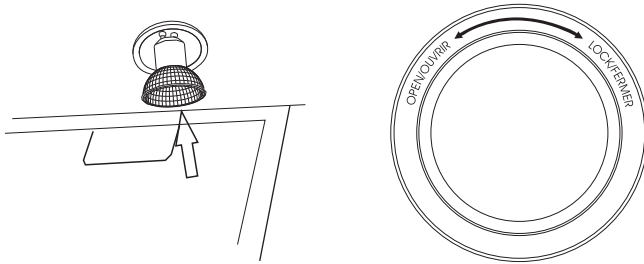
# Maintenance (continued)

## LIGHTING



**WARNING:** Always switch off the electrical supply before carrying out any operation on the appliance.

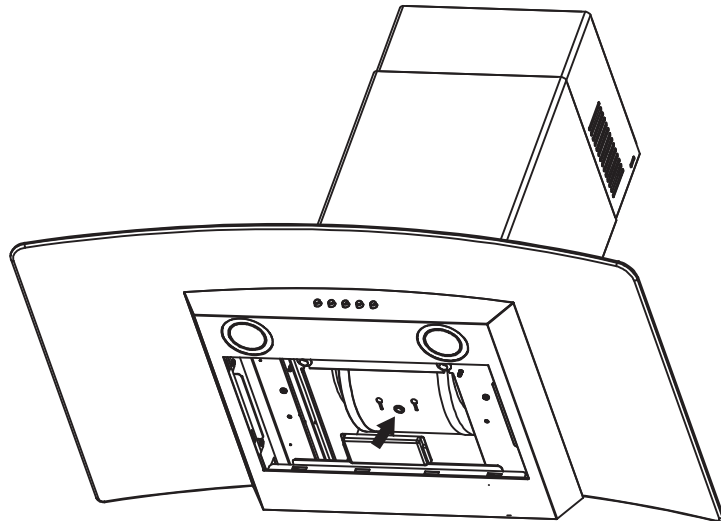
- This range hood requires two LED lamps (120V, GU10, 3W).
- To change LED lamps:
  1. Switch off power and wait for 5 minutes until the bulbs cool down.
  2. Wear gloves and remove the bulb by pulling sideways.



**CAUTION:** The surface of the LED lamps may be hot. Take care when doing the replacement.

## OIL CUP

1. The oil cup is located on the motor blower.
2. The oil cup should be cleaned frequently. The oil accumulated inside the oil cup cannot be more than half. Use a warm detergent solution.
3. Allow it to be dry before refitting.



# Care and Cleaning



**WARNING:** Failure to maintain basic standards of care and cleaning of the range hood will increase the risk of fire.

The range hood should be cleaned regularly internally and externally to preserve its appearance and performance.

## Do

- Clean the range hood periodically with hot, soapy water and a clean cotton cloth.
- Always clean in the direction of original polish lines.
- Always rinse well with clean water two or three times after cleaning. Wipe completely dry with a soft, non-abrasive cloth.
- After cleaning, you may polish with a non-abrasive stainless steel polish or cleaner. Always rub lightly and with the grain.
- Ensure that the venting system is free of debris, if you have one.

## Do Not

- Do not use corrosive or abrasive detergents, or any products containing chloride, fluoride, iodide, or bromide on this product, as they will deteriorate the surface rapidly.
- Do not allow cleaning compounds, salt solutions, disinfectants, or bleaches to remain in contact with the product for extended periods of time.
- Do not allow deposits to remain for long periods of time on the range hood. Rinse with water immediately and wipe dry with a clean cloth.
- Do not leave the range hood dirty for long periods of time or allow dirt to accumulate.
- Do not let plaster dust or any other construction residue enter the hood. During construction or renovation, cover the hood.
- Combustible products used for cleaning, such as acetone, alcohol, ether, or benzyl, are highly explosive and should never be used close to a range or stove.

# Troubleshooting



**DANGER:** Turn off the power circuit breaker or the power switch on the junction box before installing or servicing this unit. Touching circuitry inside the range hood while it is energized will result in death or serious injury.

Problem	Solution
The range hood will not operate.	<ul style="list-style-type: none"> <li><input type="checkbox"/> Check that the power supply cable and all electrical wiring are properly connected.</li> <li><input type="checkbox"/> Check that the power is turned on at the junction box or circuit breaker.</li> <li><input type="checkbox"/> Check that the wiring between the switch board and the control board are connected properly.</li> </ul>
The range hood vibrates when the fan is operating.	<ul style="list-style-type: none"> <li><input type="checkbox"/> Check that the range hood has been secured properly to the wall or cabinet. Tighten it into position, if necessary.</li> <li><input type="checkbox"/> Check that the motor is secured in place. If not, then tighten the motor in place.</li> <li><input type="checkbox"/> Check that the fan is not damaged. If so, replace the fan.</li> </ul>
The fans seem weak.	<ul style="list-style-type: none"> <li><input type="checkbox"/> Check that the duct size used is at least 152 mm (6 in.). The range hood will not function efficiently with insufficient duct size.</li> <li><input type="checkbox"/> Check that the duct is not clogged with debris and the tight mesh on the wall cap, if applicable, isn't restricting air flow.</li> <li><input type="checkbox"/> Check that the damper unit is opening properly, if applicable.</li> </ul>
The lights work, but the fan is not spinning, is stuck, or is rattling.	<ul style="list-style-type: none"> <li><input type="checkbox"/> The lights work, but the fan is not spinning, is stuck, or is rattling.</li> <li><input type="checkbox"/> Check that the fan isn't jammed or scraping the bottom.</li> <li><input type="checkbox"/> If nothing else works, the motor may be defective or seized. If so, replace the motor.</li> </ul>
The range hood is not venting properly.	<ul style="list-style-type: none"> <li><input type="checkbox"/> Check that the distance between the cook top and the bottom of the range hood is min. at 24 in.</li> <li><input type="checkbox"/> Check that duct work follows all requirements. Use metal duct work with a uniform diameter of 150 mm (6 in.). Reduce the length of duct work and the number of elbows if necessary. Ensure that all joints are properly connected, sealed, and taped.</li> <li><input type="checkbox"/> Check that the duct does not open against the wind.</li> <li><input type="checkbox"/> Ensure that the power is on high speed for heavy cooking.</li> <li><input type="checkbox"/> Wind from opened windows or doors may affect the performance of the range hood. Close windows and doors to eliminate outside air flow.</li> </ul>
A light does not work.	<ul style="list-style-type: none"> <li><input type="checkbox"/> Check the light bulb to see if it is loose. If so, tighten.</li> <li><input type="checkbox"/> Remove the problem bulb and insert one you know is working. If the properly functioning light does not come on, the problem may be the light assembly. Have the light assembly serviced or replaced.</li> </ul>



# Wiring Diagram

